



**DANIEL**

SCHEDA TECNICA TECHNICAL FEATURES

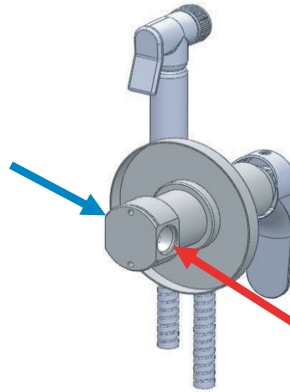
ART. COD.

**OME645LT8**

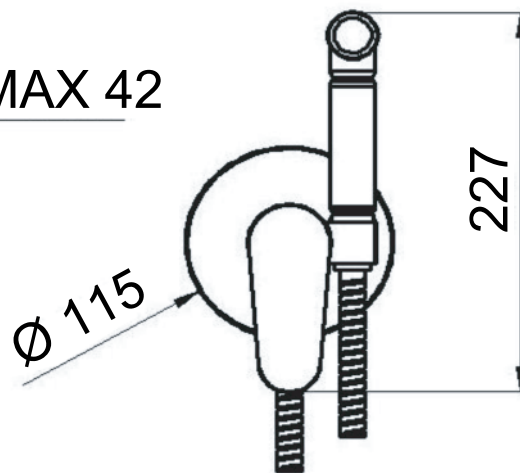
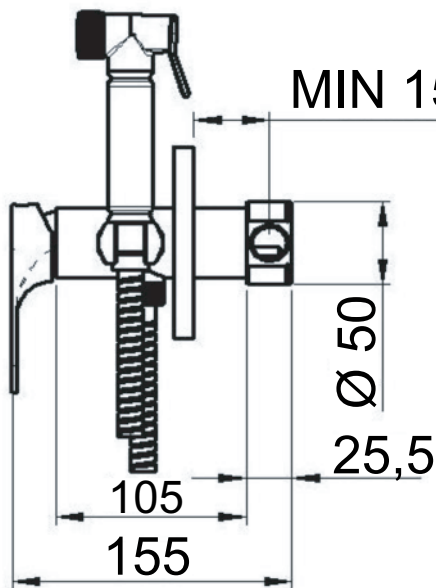


120 cm

ACQUA FREDDA  
COLD WATER  
G1/2



ACQUA CALDA  
HOT WATER  
G1/2



**MATERIALI / MATERIALS**

OTTONE CROMATO / CHROME PLATED CHROME

**CROMATURA / CHROME PLATING**

UNI EN 248



8 L / Min.