

TECHNICAL DATA SHEET

STRAIGHT PAN CONNECTOR

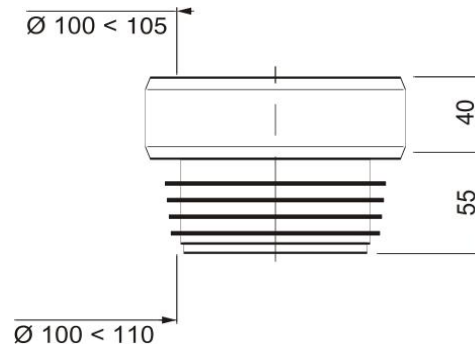
wirquin

WIRQUIN MANUFACTURING
Hospital Street
Somerset East
5850
South Africa

Tel: +27 (0)42 243 6000
Fax: +27 (0)42 243 0543

Directors
D. Le Coent (Chairman) (French)
G. Le Coent (French)
G. Hogg (Managing)

(Pty) Ltd Reg No.
2006/004087/07



ITEM NUMBER: 71150000

DESCRIPTION: STRAIGHT PAN Connector with Fins RA 375

BENEFITS & FEATURES:

- *The Wirquin RA 375 Pan Connector is designed to guarantee a NO LEAK fitment.*
- *Three fins on the pan connection side ensure a leak free tight fit over the pan outlet.*
- *Three fins on the sewer connection end ensure a leak free tight fit into the sewer pipe.*
- *Specialised material ensures a leak free installation – no need for putty, wax, and silicone.*
- *Conforms to National Building Regulation standards requirements.*

SPECIFICATION:

STRAIGHT PAN Connector – RA 375. Specialised material ensures a leak free installation – no need for putty, wax, and silicone. Conforms to National Building Regulation standards requirements. WIRQUIN - 71150000

www.wirquin.com

France

WIRQUIN PLASTIQUES
contact@wirquin.com

GILAC
gilac@gilac.com

Spain

WIRQUIN CALAF
wirquin@wirquincalaf.com

United-Kingdom

WIRQUIN LTD
sales@wirquin.co.uk

Federation of Russia

WIRQUIN RUS
commerce@wirquin.ru

Romania

WIRQUIN ROMANIA
marketing@wirquin.ro

South Africa

WIRQUIN MANUFACTURING
SOUTH AFRICA
enquiries@wirquin.co.za

China

WIRQUIN AIMAS
WIRQUIN ASIA
GOLDEN PLASTIC INDUSTRIAL
contact@wirquin.cn

Export

WIRQUIN EXPORT
export@wirquin.com