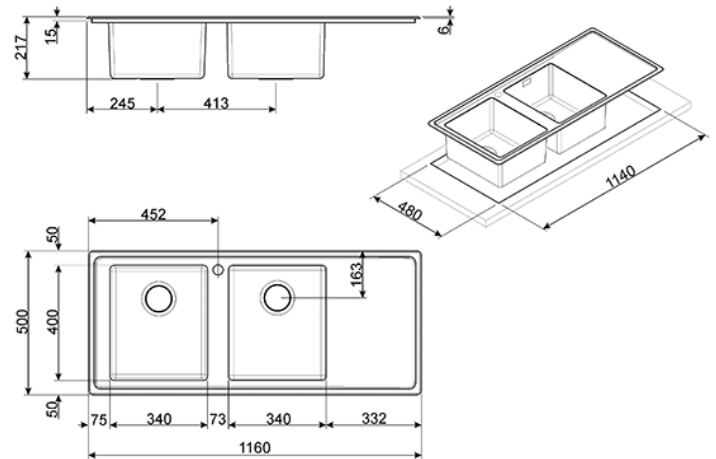


Mira Stainless Steel Double Bowl Inset Sink
EAN13: 8017709200527



• Brushed AISI304 Stainless Steel Sink • Embossed Logo • 3.5" drainer • Overflow prevention • Right Hand Draining Board • Ultra-low Profile • Dimensions: • Sink: 1160mm (L) x 500mm (W) • Right and left bowl: 340mm (L) x 400mm (W) x 200mm (H) • Cut Out: 1140mm (L) x 480mm (W) • Accessories Included: • Strainer, Siphon with dishwasher outlet connection, Fixing clips and Gasket • Minimum base unit 90cm • NB: All inset sinks have pre-punched holes for taps • All Smeg Stainless Steel Sinks have a 10 Year Warranty from date of purchase against corrosion. Terms and Conditions Apply • Please visit the following link for the sink warranty: • https://www.smeg.co.za/smeg_za/docs/Sink_Warranty.pdf