

## Croma

### Overhead shower 1jet Green 2.0 GPM

Surfaces: **Chrome** Article Number: **28492002**



#### Description

##### product features

- shower head size: 75 mm
- spray type: Stream
- ball-joint: overhead shower angle adjustable
- maximum flow rate at 3 bar: 7,6 l/min
- material spray disc: plastic
- installation: wall
- suitable for continuous flow water heaters with an output of 18 kW
- scope of supply: overhead shower, assembly instruction

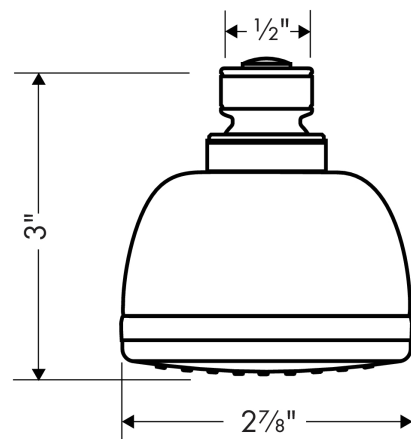
#### Technology



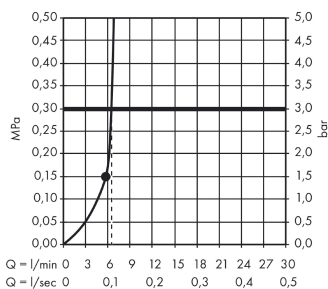
#### Product image



#### Scale drawing



#### Flowchart



The consumption was measured in combination with the appropriate fittings (thermostat/mixer/ in-wall valve) to reflect actual application in practice.